

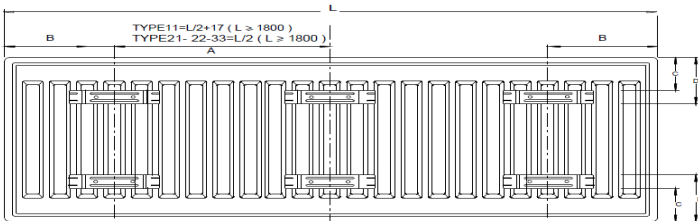
HEIGHT MM / INCH	WIDTH MM / INCH	SF/K1 = Single Panel / Single Convector			HF/P+ = Double Panel / Single Convector			DF/K2 = Double Panel / Double Convector			TS/K3 = Triple Panel / Triple Convector		
		Ultraheat CODE	OUTPUT ΔT50°C BTU / WATTS	Nett Price £ / EA.	Ultraheat CODE	OUTPUT ΔT50°C BTU / WATTS	Nett Price £ / EA.	Ultraheat CODE	OUTPUT ΔT50°C BTU / WATTS	Nett Price £ / EA.	Ultraheat CODE	OUTPUT ΔT50°C BTU / WATTS	Nett Price £ / EA.
700 / 28"	400 / 16"	7SF400	1493 / 437	18.74	7HF400	2250 / 659	28.46	7DF400	2869 / 840	32.38	7TS400	3961 / 1160	76.01
	500 / 20"	7SF500	1867 / 547	19.59	7HF500	2813 / 824	34.37	7DF500	3587 / 1050	38.31	7TS500	4951 / 1450	78.96
	600 / 24"	7SF600	2240 / 656	23.48	7HF600	3376 / 988	41.25	7DF600	4304 / 1260	45.94	7TS600	5942 / 1739	93.93
	700 / 28"	7SF700	2614 / 765	27.26	7HF700	3938 / 1153	48.12	7DF700	5022 / 1470	53.58	7TS700	6932 / 2029	102.96
	800 / 32"	7SF800	2987 / 874	31.34	7HF800	4501 / 1318	55.02	7DF800	5739 / 1680	61.23	7TS800	7922 / 2319	117.20
	900 / 36"	7SF900	3360 / 984	35.21	7HF900	5064 / 1482	61.84	7DF900	6456 / 1890	68.92	7TS900	8913 / 2609	127.01
	1000 / 39"	7SF1000	3729 / 1093	38.46	7HF1000	5626 / 1647	70.11	7DF1000	7174 / 2100	75.18	7TS1000	9903 / 2899	145.36
	1100 / 43"	7SF1100	4107 / 1202	42.32	7HF1100	6189 / 1812	75.59	7DF1100	7891 / 2310	82.72	7TS1100	10893 / 3189	159.38
	1200 / 47"	7SF1200	4480 / 1312	46.19	7HF1200	6751 / 1976	82.44	7DF1200	8608 / 2520	90.25	7TS1200	11884 / 3479	173.40
	1300 / 51"	7SF1300	4854 / 1421	50.04	7HF1300	7314 / 2141	92.92	7DF1300	9326 / 2730	97.75			
	1400 / 55"	7SF1400	5227 / 1530	53.88	7HF1400	7877 / 2306	105.87	7DF1400	10043 / 2940	105.25	7TS1400	13864 / 4059	205.95
	1500 / 59"	7SF1500	5594 / 1640	57.72				7DF1500	10760 / 3150	112.85			
1600 / 63"	7SF1600	5974 / 1749	61.56	7HF1600	9002 / 2635	118.79	7DF1600	11478 / 3360	120.45	7TS1600	15845 / 4638	234.31	
1800 / 71"	7SF1800	6721 / 1967	69.23	7HF1800	10127 / 2965	137.35	7DF1800	12912 / 3780	135.32				
2000 / 79"	7SF2000	7467 / 2186	77.70				7DF2000	14347 / 4200	151.82				
2200 / 87"	7SF2200	8214 / 2405	87.96				7DF2200	15782 / 4620	171.95				
2400 / 95"	7SF2400	8961 / 2623	104.14				7DF2400	17217 / 5040	203.47				

HEIGHT MM / INCH	WIDTH MM / INCH	SF/K1 Single Panel / Single Convector			HF/P+ Double Panel / Single Convector			DF/K2 Double Panel / Double Convector			TS/K3 Triple Panel / Triple Convector		
		Ultraheat CODE	OUTPUT ΔT50°C BTU / WATTS	Nett Price £ / EA.	Ultraheat CODE	OUTPUT ΔT50°C BTU / WATTS	Nett Price £ / EA.	Ultraheat CODE	OUTPUT ΔT50°C BTU / WATTS	Nett Price £ / EA.	Ultraheat CODE	OUTPUT ΔT50°C BTU / WATTS	Nett Price £ / EA.
900 / 36"	400 / 16"	9SF400	1791 / 524	24.56	9HF400	2730 / 800	41.94	9DF400	3426 / 1003	45.23	9TS400	4711 / 1379	99.52
	500 / 20"	9SF500	2239 / 656	25.31	9HF500	3412 / 1000	46.54	9DF500	4282 / 1254	51.77	9TS500	5889 / 1724	102.76
	600 / 24"	9SF600	2687 / 787	29.90	9HF600	4091 / 1199	55.82	9DF600	5138 / 1504	62.12	9TS600	7067 / 2069	123.24
	700 / 28"	9SF700	3135 / 918	34.76	9HF700	4773 / 1399	65.17	9DF700	5995 / 1755	72.49	9TS700	8245 / 2414	143.83
	800 / 32"	9SF800	3583 / 1049	39.60	9HF800	5459 / 1600	90.37	9DF800	6851 / 2006	82.61	9TS800	9423 / 2758	164.40
	900 / 36"	9SF900	4031 / 1180	44.71				9DF900	7708 / 2256	93.21	9TS900	10601 / 3103	184.94
	1000 / 39"	9SF1000	4473 / 1311	49.58				9DF1000	8564 / 2507	103.07	9TS1000	11778 / 3448	205.47
	1100 / 43"	9SF1100	4926 / 1442	54.69									
	1200 / 47"	9SF1200	5374 / 1573	59.80									
	1400 / 55"	9SF1400	6270 / 1835	69.50				9DF1400	10277 / 3008	127.09			
								9DF1400	11989 / 3510	144.73			

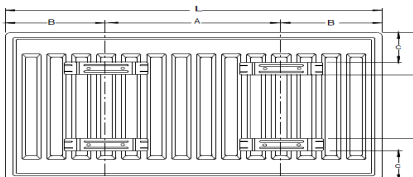
HEIGHT MM / INCH	WIDTH MM / INCH	SF/K1 Single Panel / Single Convector			HF/P+ Double Panel / Single Convector			DS/K2 Double Panel / Double Convector			TS/K3 Triple Panel / Triple Convector		
		Ultraheat CODE	OUTPUT ΔT50°C BTU / WATTS	Nett Price £ / EA.	Ultraheat CODE	OUTPUT ΔT50°C BTU / WATTS	Nett Price £ / EA.	Ultraheat CODE	OUTPUT ΔT50°C BTU / WATTS	Nett Price £ / EA.	Ultraheat CODE	OUTPUT ΔT50°C BTU / WATTS	Nett Price £ / EA.
200 / 8"	800 / 32"							2DS800	2003 / 586	31.37	2TS800	2730 / 799	54.18
	900 / 36"							2DS900	2254 / 660	35.22			
	1000 / 39"							2DS1000	2504 / 733	39.13	2TS1000	3413 / 999	68.30
	1200 / 47"							2DS1200	3005 / 880	47.08	2TS1200	4095 / 1199	82.74
	1400 / 55"							2DS1400	3505 / 1026	67.19	2TS1400	4778 / 1399	97.43
	1600 / 63"							2DS1600	4006 / 1173	70.43	2TS1600	5460 / 1598	112.30
	1800 / 71"							2DS1800	4507 / 1319	87.71	2TS1800	6143 / 1798	128.66
	2000 / 79"							2DS2000	5008 / 1466	99.36	2TS2000	6825 / 1998	166.10
	2400 / 95"							2DS2400	6009 / 1759	128.32			
	3000 / 118"							2DS3000	7512 / 2199	166.14			

Heat Output ΔT50°C mean water temperature of 70°C and room temperature of 20°C.

As we strive for constant improvements we therefore reserve the right to alter specifications and prices at any time without prior notice. Prices EXCLUDE V.A.T.



Δ Factors in C other than Δ T50		
5c = 0.093	30c = 0.506	55c = 1.135
10c = 0.120	35c = 0.622	60c = 1.275
15c = 0.201	40c = 0.743	65c = 1.419
20c = 0.295	45c = 0.869	70c = 1.566
25c = 0.397	50c = 1.000	55c = 1.717



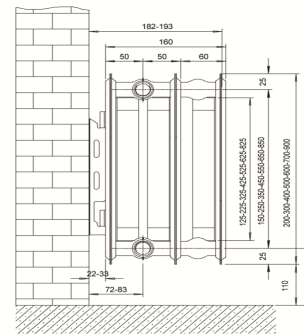
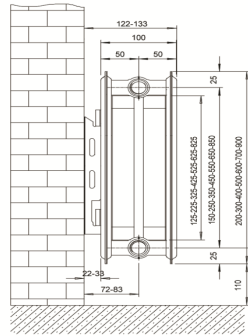
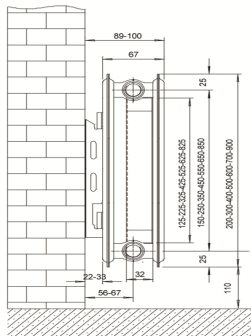
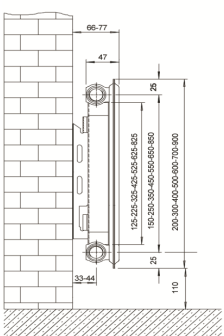
L (mm)	A (mm)		B (mm)		C (mm)	D (mm)	Set of Lugs
	Type 11	Type 10-21-22-33	Type 11	Type 10-21-22-33			
400	166	134	117	133	60	85	2
500	200	234	150	133	60	85	2
600	300	334	150	133	60	85	2
700	400	434	150	133	60	85	2
800	500	534	150	133	60	85	2
900	600	634	150	133	60	85	2
1000	700	734	150	133	60	85	2
1100	800	834	150	133	60	85	2
1200	900	934	150	133	60	85	2
1400	1100	1134	150	133	60	85	2
1600	1300	1334	150	133	60	85	2
1800	767	767	150	133	60	85	3
2000	867	867	150	133	60	85	3
2200	967	967	150	133	60	85	3
2400	1067	1067	150	133	60	85	3
2600	1167	1167	150	133	60	85	3
2700	1217	1217	150	133	60	85	3
2800	1267	1267	150	133	60	85	3
3000	1367	1367	150	133	60	85	3

1 SF/K1

HF/P+

DF/DS/K2

TS/K3



Manchester
Newton Street
Stretford
M32 8LS
0161 865 1133

Huddersfield
Albert Street
Lockwood
HD1 3QF
01484 428191

Warrington
199 Warrington Rd
Penketh
WA5 2RX
01925 720210



Heating Division of Pitacs Ltd
Pitacs Ltd, Bradbourne Point
Bradbourne Drive, Tilbrook, Milton Keynes, MK7 8AT
Tel : 01908 271155 Fax : 01908 640017
e-mail : info@pitacs.com www.pitacs.com